

PLEASE CHECK WWW.MOLEX.COM FOR LATEST PART INFORMATION

Part Number: [0019092029](#)
Status: **Active**
Overview: [standard_093](#)
Description: 2.36mm (.093") Diameter Standard .093" Pin and Socket Plug Housing With Positive Latch, UL 94V-2, 2 Circuits

Documents:

[3D Model](#) [Packaging Specification \(PDF\)](#)
[Drawing \(PDF\)](#) [RoHS Certificate of Compliance \(PDF\)](#)

Agency Certification

CSA LR19980
TUV R72081037
UL E29179

General

Product Family Crimp Housings
Series [3191](#)
Comments Polarized to Mating Part, Without Mounting Ears
Overview [standard_093](#)
Product Name Standard .093"

Physical

Breakaway No
Circuits (maximum) 2
Color - Resin Natural
Flammability 94V-2
Gender Dual
Glow-Wire Compliant No
Keying to Mating Part None
Lock to Mating Part Yes
Material - Resin Nylon
Number of Rows 1
Packaging Type Bag
Panel Mount No
Pitch - Mating Interface (in) 0.264 In
Pitch - Mating Interface (mm) 6.71 mm
Polarized to Mating Part Yes
Stackable No
Temperature Range - Operating -40°C to +105°C

Electrical

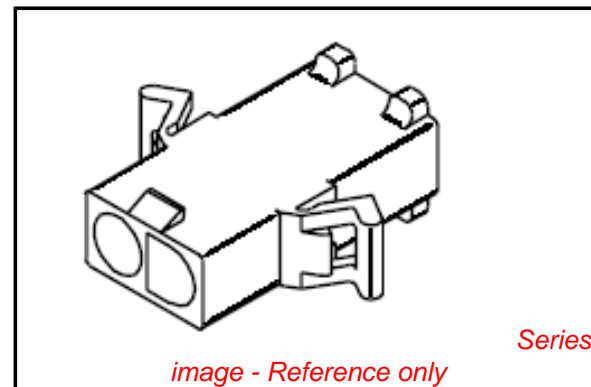
Current - Maximum per Contact 12A

Material Info

Old Part Number 3191-2P1

Reference - Drawing Numbers

Sales Drawing SD-3191-2*



EU RoHS

ELV and RoHS Compliant
REACH SVHC
Contains SVHC: No
Halogen-Free Status

China RoHS



Need more information on product environmental compliance?

Email productcompliance@molex.com
For a multiple part number RoHS Certificate of Compliance, [click here](#)

Please visit the [Contact Us](#) section for any non-product compliance questions.

Search Parts in this Series

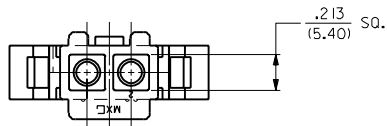
[3191Series](#)

Mates With

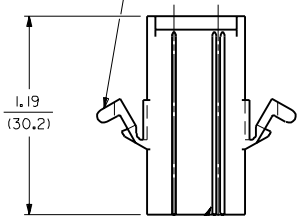
[3191](#) Pin and Socket Rectacle, [5219](#) Vertical PCB Header

Use With

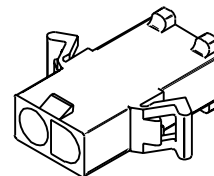
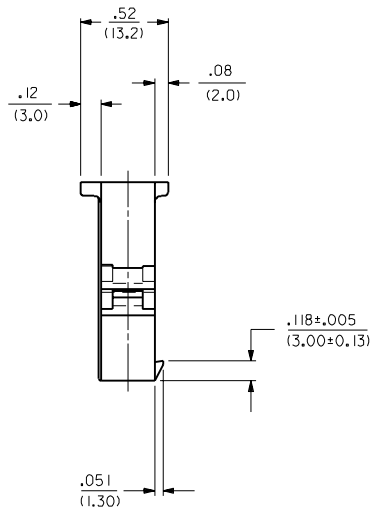
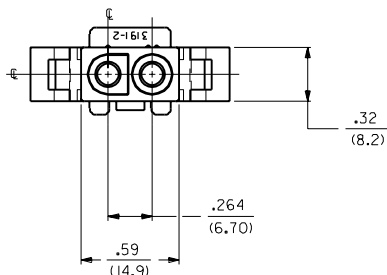
[1189](#) Crimp Terminals, [1190](#) Crimp Terminals, [1380](#) Male Crimp Terminals, [1381](#) Female Crimp Terminals, [1433](#) Crimp Terminals, [1434](#) Male Crimp Terminals, [2605](#) , [2606](#) , [1973](#) , [2151](#) , [2273](#) , [2870](#) , [2871](#) , [4272](#) , Lin



PREBENT MOUNTING EAR
(WHEN SPECIFIED)



CIRCUIT NUMBER
IDENTIFICATION RIBS



PLUG

3	E2	
2	D	
1	E4	
<input checked="" type="checkbox"/>	SH.	REV. LTR. REVISIONS

E4	REVISED UCR 98-0148 WANG 98-04-15
E3	ADD RAMP DIM'S ECN #U4 0293 3-1-94 RW
E2	X-REMOVE ECR U3 0001 GC 12/30/92 RW
E1	REL. RED VERSIONS ECR U1 2167 GC 1/24/92 RW
E	REV. MATL. CODE ECR # U90901 KBW 01-25-89 RW
D	REV. & REDRAWN ECR UB 1858 GEP 11-21-88 RW

MOLEX INCORPORATED LITTLE ROCK, ARK. U.S.A.

SEE CHART SD-3191-2*

PLUG AND RECEPTACLE, 2 CKT. ±.264/(6.70) CTRS.

3 PLACE ±.010 ---
2 PLACE ±.014 ± 0.25
1 PLACE --- ± 0.35

UNLESS OTHERWISE SPECIFIED
TOLERANCES: ANGULAR ± .001 TO

DRAFT WHERE APPLICABLE MUST
REMAIN WITHIN DIMENSIONS

DRWG. NO. SD-3191-2*
REV. 11/21/88

DATE 11/21/88

FILE NAME S31912X1.DWG

SCALE 2 : 1

DRWG. BY CEP
CHKD. BY RW

APP'D. BY RAS

SIZE CP

NO P.S. 1

13 12 11 10 9 8 7 6 3191 4 3 2 1

PLUG		RECEPTACLE	
PART NO.	ENG. NO.	PART NO.	ENG. NO.
19-09-2028	3191-2P	19-09-1029	3191-2R1
19-09-2029	3191-2P1	19-09-1026	3191-2R1-201
19-09-2027	3191-2P-201	19-09-1020	3191-2R IRD
19-09-2026	3191-2P1-201	19-09-1021	3191-2R IBU
19-09-2020	3191-2P IRD		
19-09-2021	3191-2P IBU		

LEGEND:
 3191-2****-*

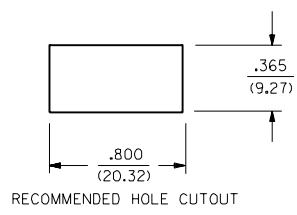
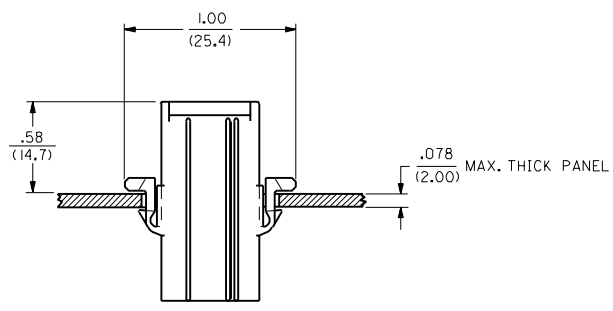
CIRCUIT SIZE

P = PLUG
 R = RECEPTACLE

EARS: BLANK = WITH PREBENT EARS (PLUG ONLY)
 I = WITHOUT EARS

COLOR: BLANK = NATURAL COLOR
 AM=AMBER BK=BLACK BU=BLUE
 BN=BROWN GY=GRAY GN=GREEN
 OR=ORANGE RD=RED YW=YELLOW

MATERIAL: BLANK=NYLON TYPE 6/6, 94V-2
 201=NYLON TYPE 6/6, 94V-0



NOTES:
 1. THESE HOUSINGS FOR USE WITH MOLEX .093/(2.36) DIAMETER SERIES TERMINALS.

J
I
H
G
F
D
C
B
A

3191

DIMENSIONS SHOWN (METRIC) INCH		▽=0 ▼=0		REVISE ONLY ON CAD SYSTEM	
UNLESS OTHERWISE SPECIFIED TOLERANCES: ANGLES .015°					
INCH		METRIC			
3 PLACE	± .010	---			
2 PLACE	± .014	± 0.25			
1 PLACE	---	± 0.35			
DRAFT WHERE APPLICABLE MUST REMAIN WITHIN DIMENSIONS					
DRWG. BY: CEP	CHK'D. BY: RW	FILE NAME: 531912X3		DATE: 11/21/88	
APP'D. BY: RAS	SCALE: --:--	SEE CHART		PART NO. SD-3191-2*	
LTR. REVISIONS		LTR. REVISIONS		THIS DRAWING CONTAINS INFORMATION THAT IS PROPRIETARY TO MOLEX INC. AND SHOULD NOT BE USED WITHOUT WRITTEN PERMISSION.	

13 12 11 10 9 8 7 6 5 4 3 2 NO P.S. 1